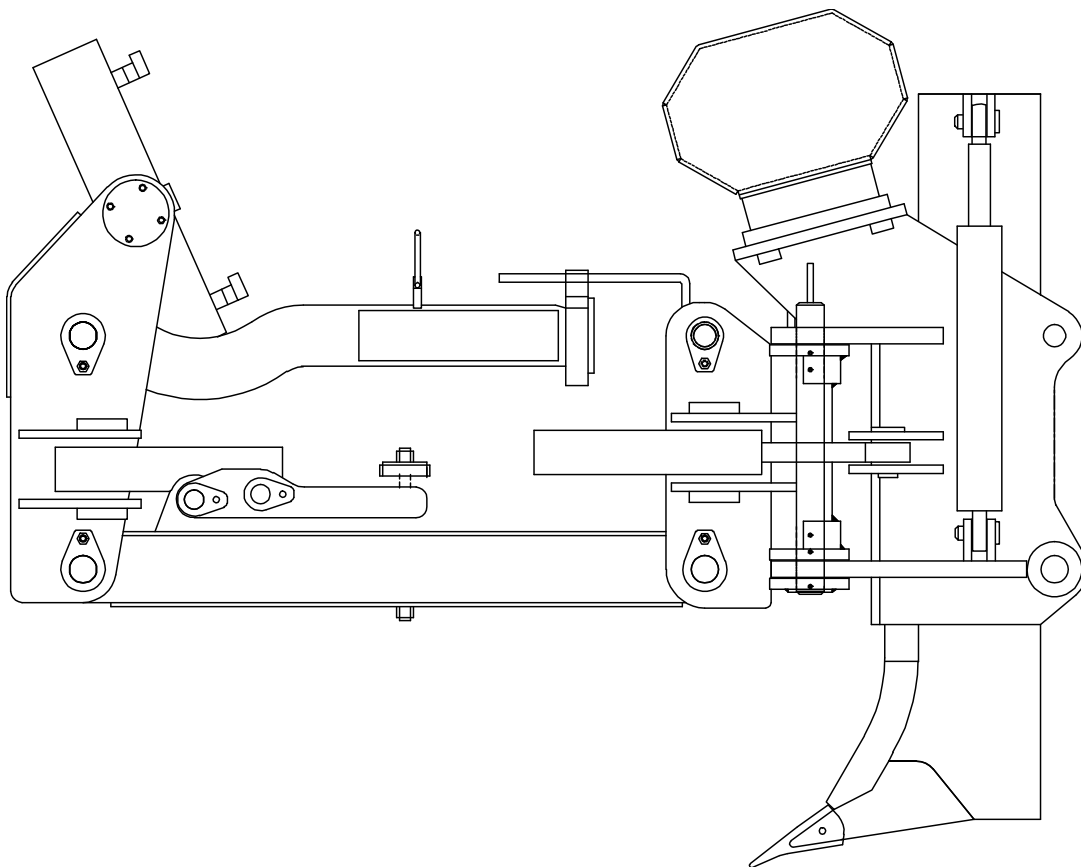


RWF BRON

V75-II PLOW PARTS MANUAL



RWF INDUSTRIES

873 Devonshire Ave., Woodstock,
Ontario N4S 8Z4
Tel: (519) 421-0036
Toll Free: 1-800-263-1060
Fax: (519) 421-0028
Email: rwf@wwdc.com

PLOW BREAKDOWN

TABLE OF CONTENTS

BACKPLATE 1

FRONT MAST 2

UPPER LINK..... 3

LOWER LINK..... 4

REAR MAST..... 5

BLADE HOLDER 6

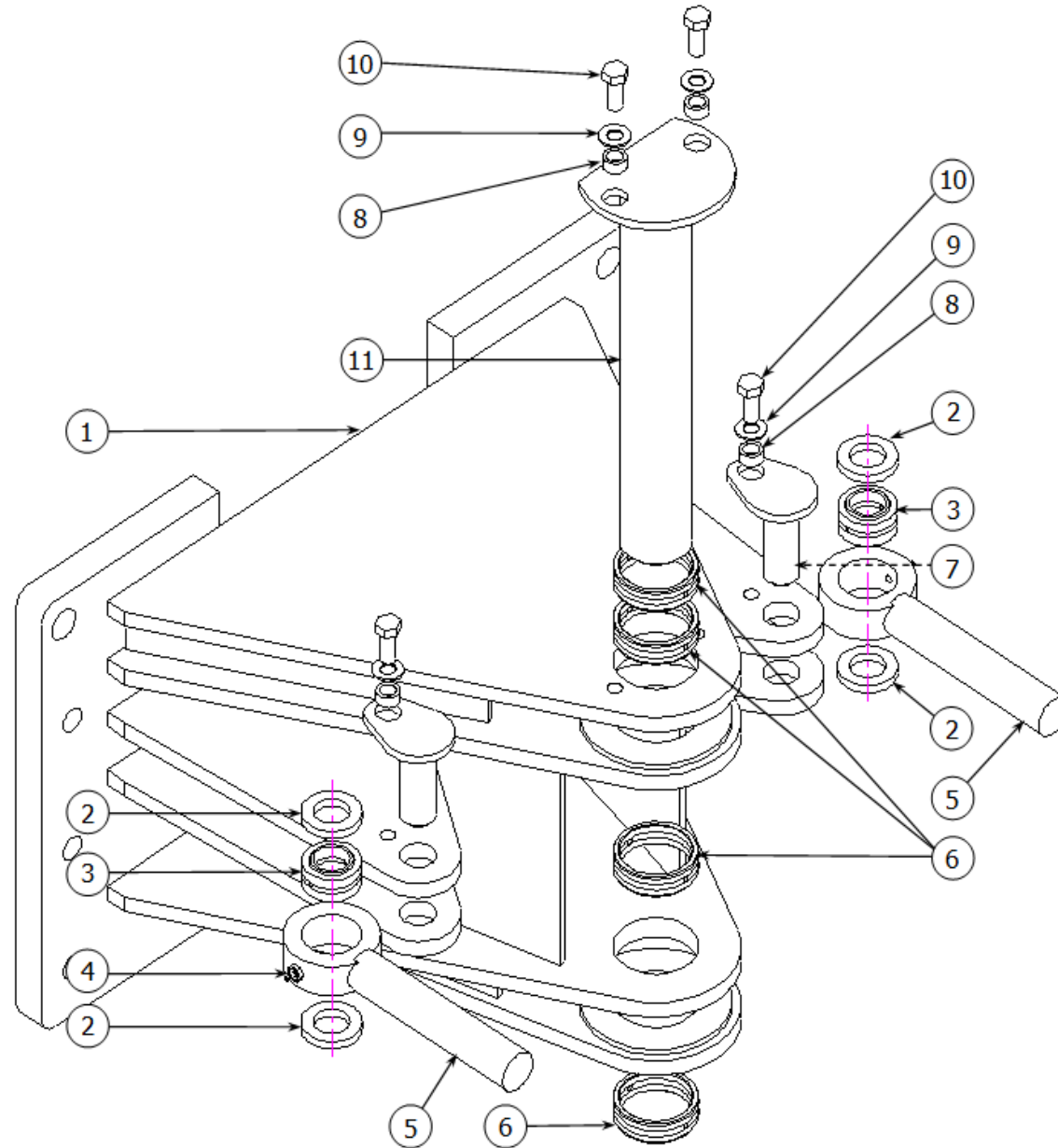
SHAKER BOX 7

SWING CYLINDERS 8

MAIN LIFT CYLINDER..... 9

BLADE LOCK CYLINDER..... 10

DECALS 11



1 BACKPLATE (BACKPLATE SHOWN FOR ILLUSTRATIVE PURPOSES ONLY)

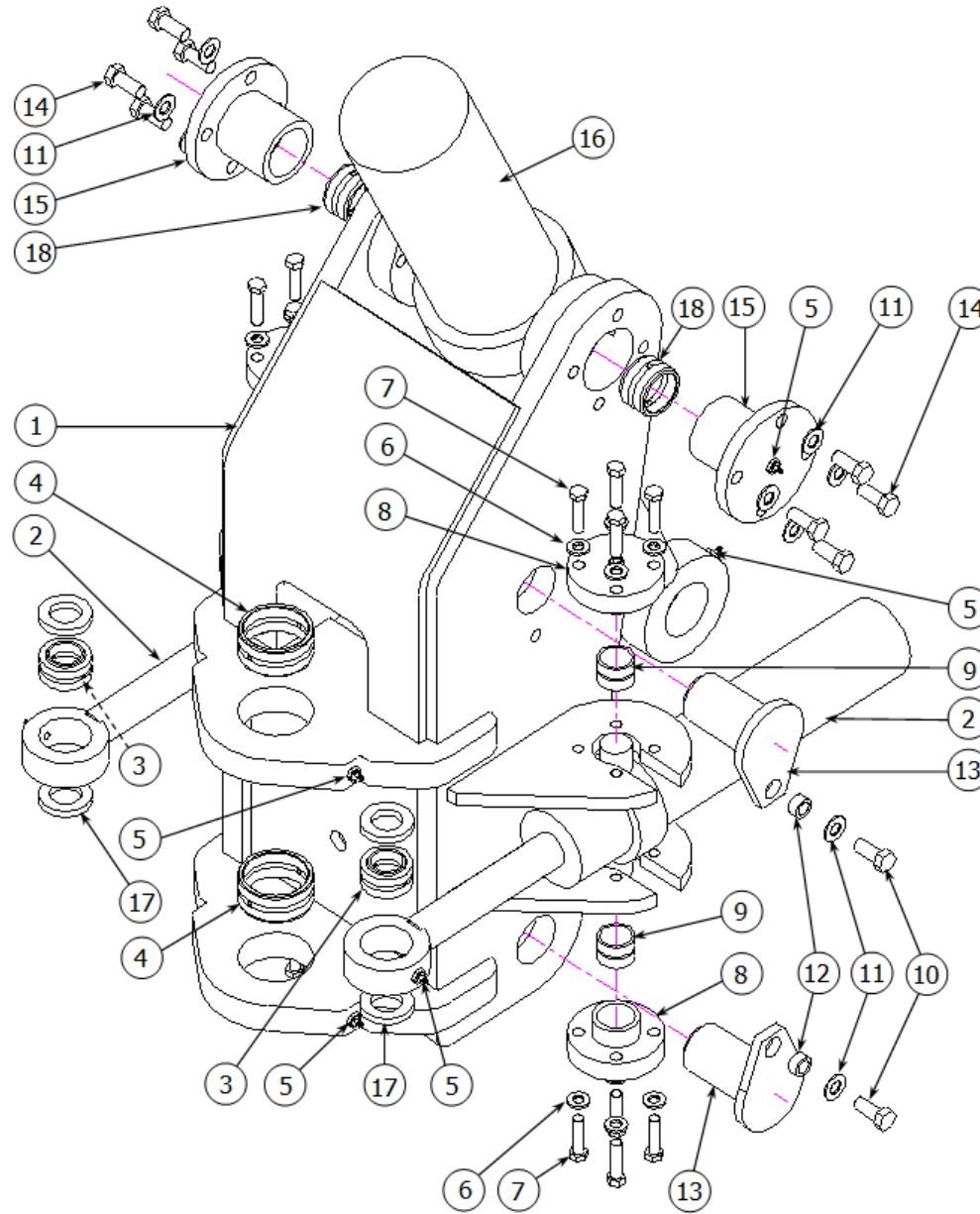
V75-II

PARTS MANUAL

Item	Quantity	Part Number	Description
1	REF	REF	BACKPLATE ASSEMBLY
2	4	16840	RUBBER SPACER
3	2	10722	SWIVEL BUSHING
4	2	80680	STRAIGHT GREASE FITTING
5	2	13808	SWING CYLINDER (SEE SECTION 8 FOR ASSEMBLY BREAKDOWN)
6	4	113154	BUSHING (3½" OD) **
7	2	10494	PIN ASSEMBLY
8	4	115057	BUSHING
9	4	80581	WASHER
10	4	80089	HEX HEAD BOLT
11	1	117741	PIN ASSEMBLY (3") *
12	2	17795	RETAINER PLATE

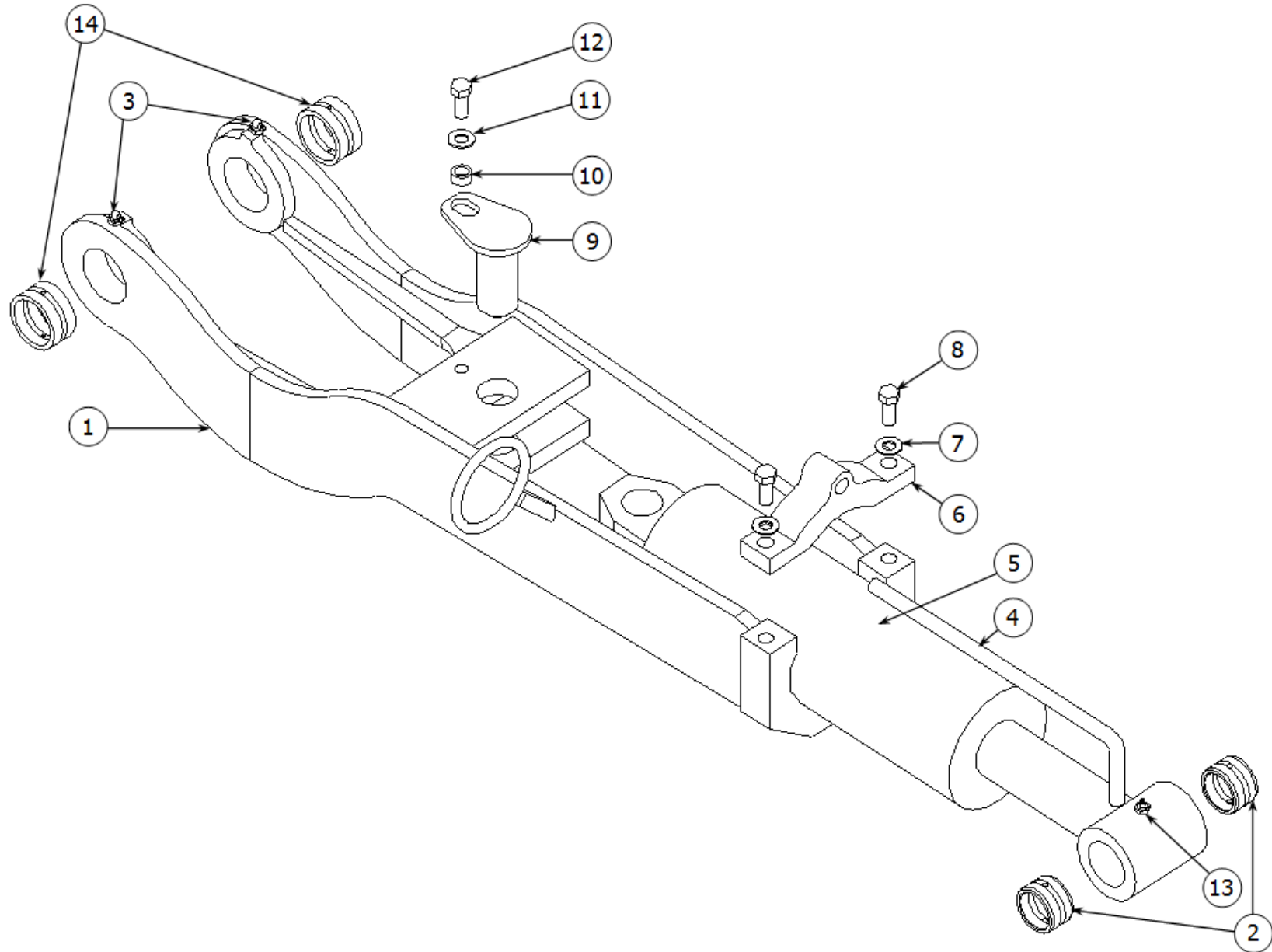
* 17846 PIN 2½" (DOUBLE CHECK THE SIZE OF THE PIN FOR PLOWS BUILT ON OR BEFORE 2000.)

** 17754 BUSHING 3" (USE BUSHING WITH ABOVE PIN.)

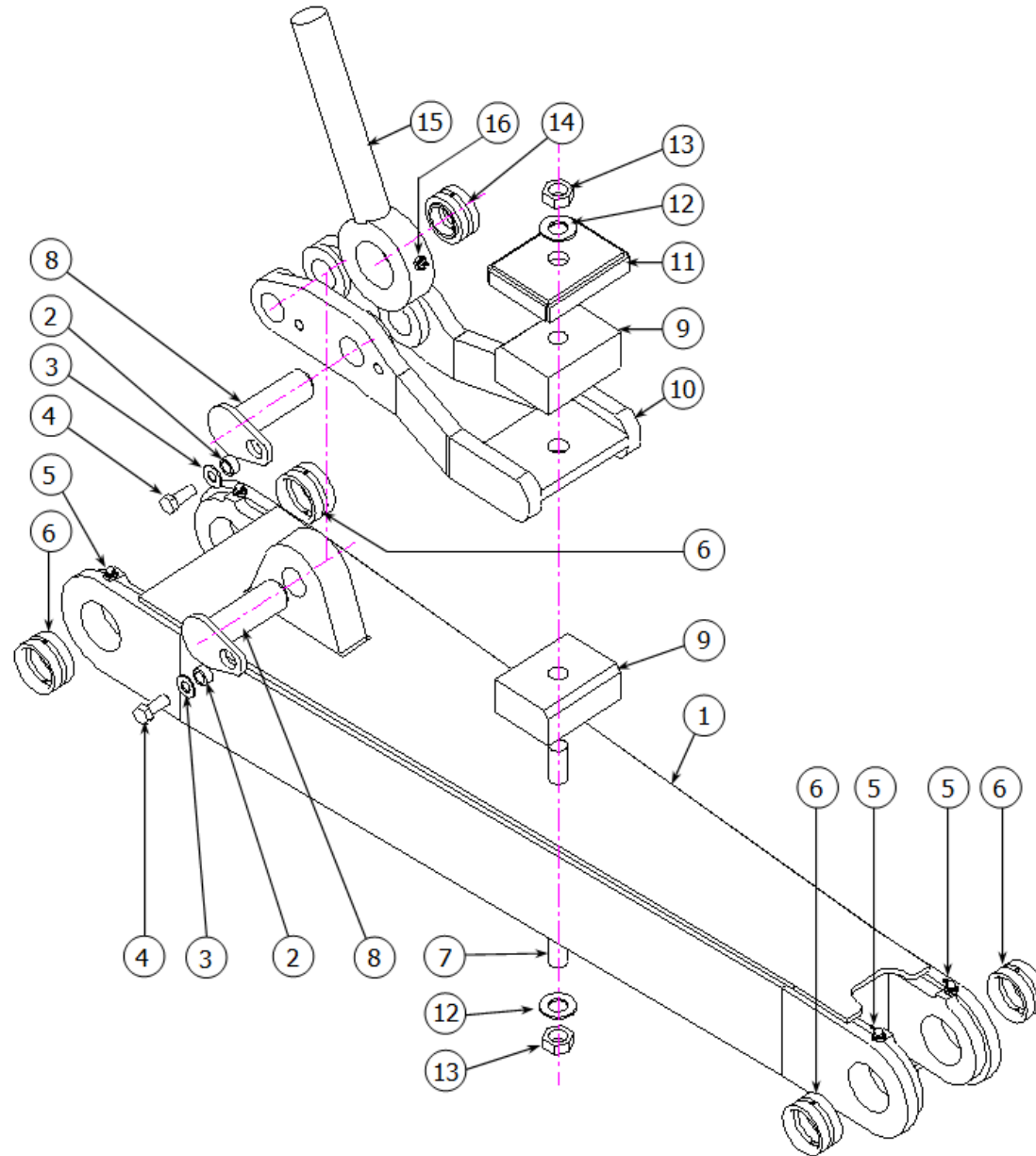


Item	Quantity	Part Number	Description
1	1	31218	FRONT MAST WELDMENT
2	2	13808	SWING CYLINDER (SEE SECTION 8 FOR ASSEMBLY BREAKDOWN)
3	2	10722	SWIVEL BUSHING
4	2	117674	BUSHING (3½" OD) *
5	11	80680	STRAIGHT GREASE FITTING
6	16	80580	WASHER
7	16	80073	HEX HEAD BOLT
8	4	13877	SWING CYLINDER TRUNNION
9	4	116808	BUSHING
10	4	80091	HEX HEAD BOLT
11	12	80581	WASHER
12	4	114862	SPACER
13	4	17838	PIN ASSEMBLY
14	8	80092	HEX HEAD BOLT
15	2	17850	MAIN LIFT CYLINDER TRUNNION
16	1	13809	MAIN LIFT CYLINDER (SEE SECTION 9 FOR ASSEMBLY BREAKDOWN)
17	4	16840	RUBBER SPACER
18	2	15352	BUSHING

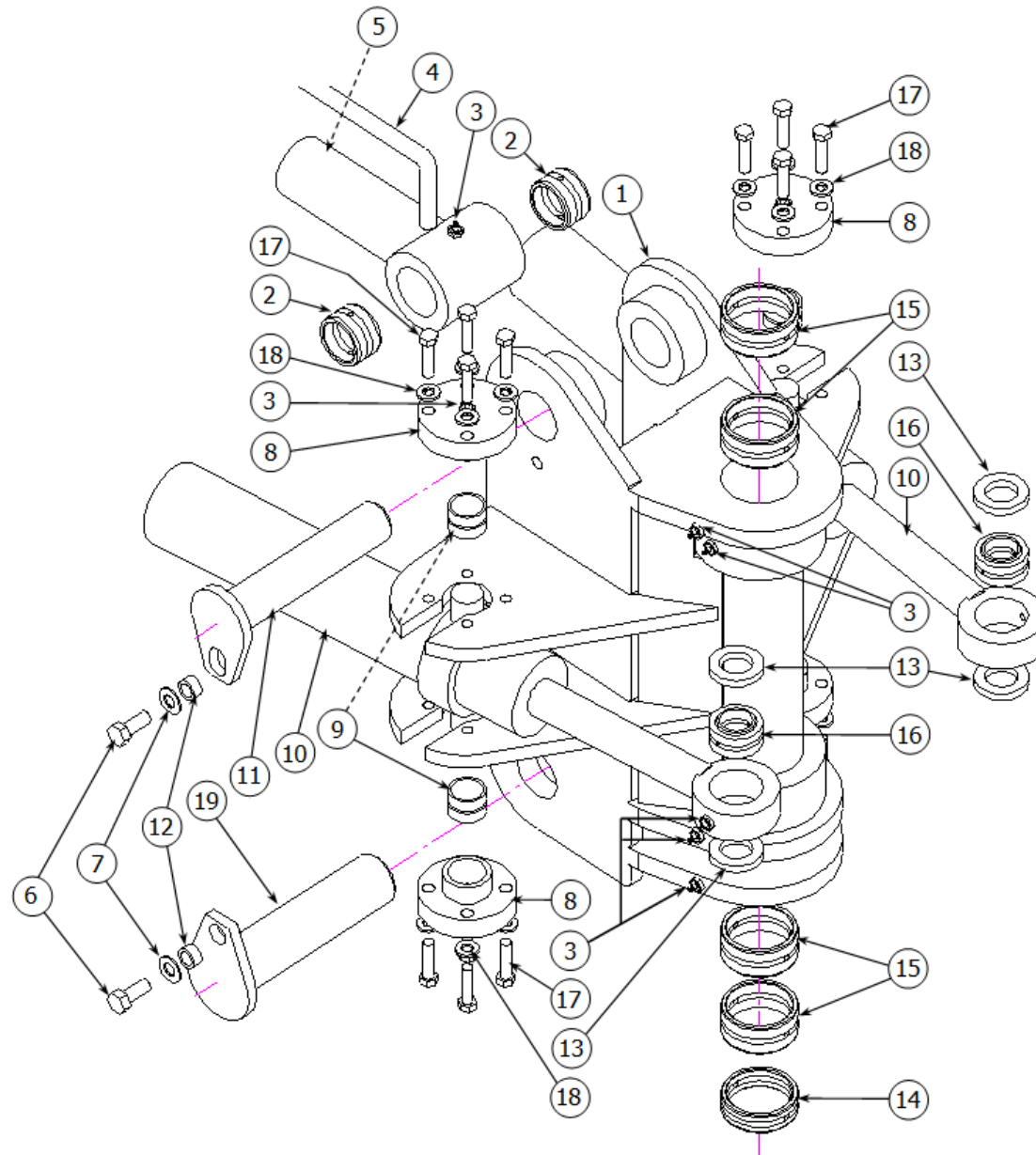
* 16323 BUSHING 3" OD (MEASURE OUTSIDE DIAMETER FOR PLOWS MADE ON OR BEFORE 2000)



Item	Quantity	Part Number	Description
1	1	30492	UPPER LINK WELDMENT
2	2	15352	BUSHING
3	2	80682	90° GREASE FITTING
4	1	17784	INDICATOR
5	1	20238	ATTITUDE CYLINDER
*	1	11175	<ul style="list-style-type: none"> • BARREL WELDMENT
*	1	11178	<ul style="list-style-type: none"> • STOVER NUT
*	1	11177	<ul style="list-style-type: none"> • PISTON
*	1	11176	<ul style="list-style-type: none"> • ROD WELDMENT
*	1	11179	<ul style="list-style-type: none"> • GLAND
*	1	11180	<ul style="list-style-type: none"> • SEAL KIT
6	1	17783	CYLINDER CLAMP
7	2	80582	WASHER
8	2	80111	HEX HEAD BOLT
9	1	13891	PIN ASSEMBLY
10	1	115057	SPACER
11	1	80581	WASHER
12	1	80089	HEX HEAD BOLT
13	1	80680	STRAIGHT GREASE FITTING
14	2	16323	BUSHING



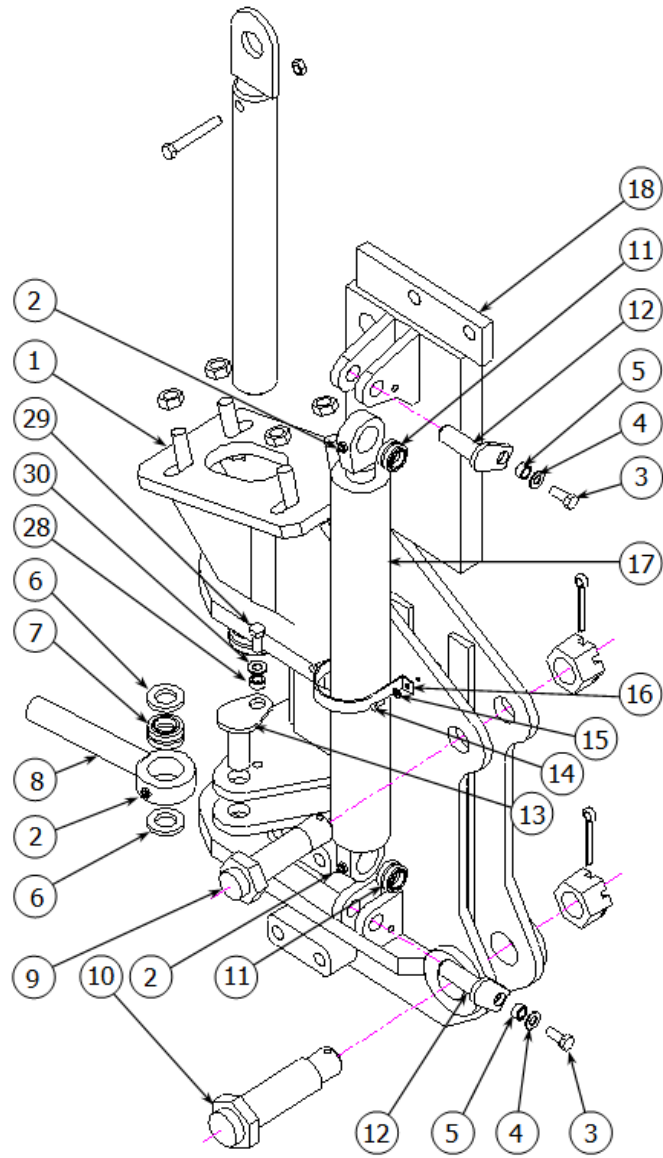
Item	Quantity	Part Number	Description
1	1	30493	LOWER LINK WELDMENT
2	2	115057	SPACER
3	2	80581	WASHER
4	2	80089	HEX HEAD BOLT
5	4	80682	90° GREASE FITTING
6	4	16323	BUSHING
7	1	17835	THREADED ROD
8	2	10498	PIN ASSEMBLY
9	2	16192	RED ISOLATOR
10	1	17831	PIVOT ARM
11	1	17834	TOP PLATE ASSEMBLY
12	2	80584	WASHER
13	2	80519	LOCK NUT
14	1	10729	SWIVEL BUSHING
15	1	13809	MAIN LIFT CYLINDER (SEE SECTION 9 FOR ASSEMBLY BREAKDOWN)
16	1	80680	STRAIGHT GREASE FITTING



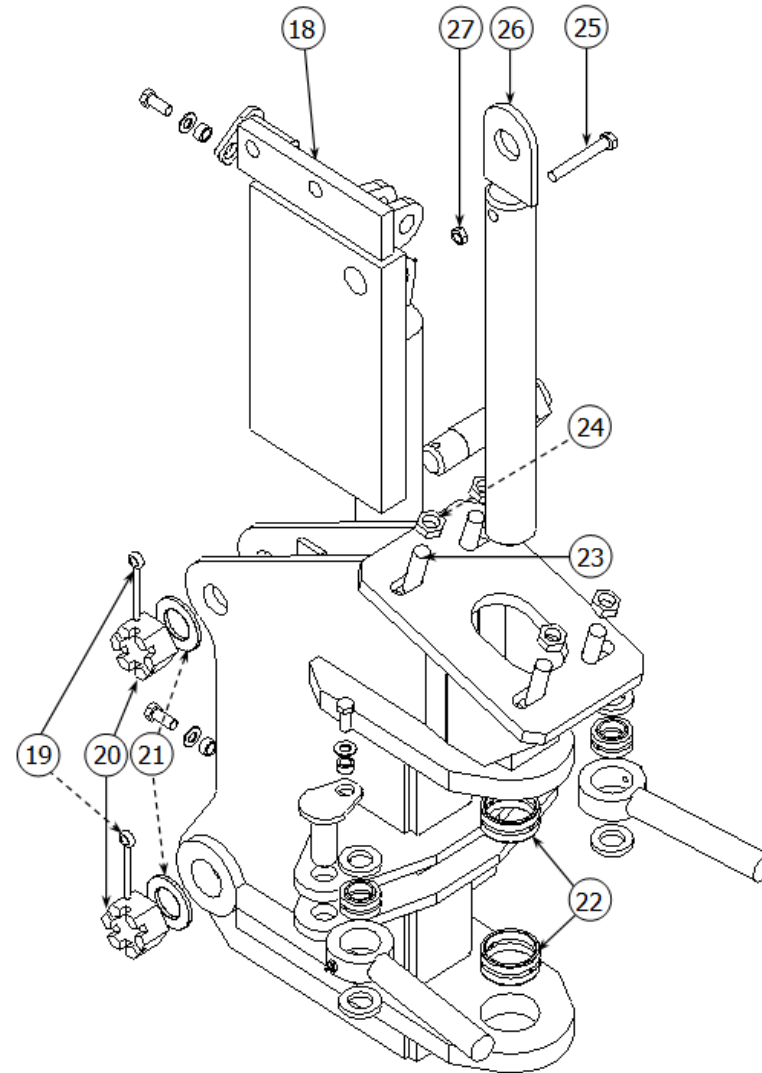
Item	Quantity	Part Number	Description
1	1	31219	REAR MAST WELDMENT
2	2	15352	BUSHING
3	12	80680	STRAIGHT GREASE FITTING
4	1	7784	INDICATOR
5	1	20238	ATTITUDE CYLINDER
6	2	80089	HEX HEAD BOLT
7	2	80581	WASHER
8	4	13877	SWING CYLINDER TRUNNION
9	4	116808	BUSHING
10	2	13808	SWING CYLINDER (SEE SECTION 8 FOR ASSEMBLY BREAKDOWN)
11	1	17855	PIN ASSEMBLY
12	2	115057	SPACER
13	4	16840	RUBBER SPACER
14	1	113154	BUSHING (3½" OD) *
15	4	117674	BUSHING (3½" OD) **
16	2	10722	SWIVEL BUSHING
17	16	80073	HEX HEAD BOLT
18	16	80580	WASHER
19	1	17840	PIN ASSEMBLY

* 16323 BUSHING 3" OD (VERIFY DIMENSIONS OF BUSHING FOR PLOWS BUILT ON OR BEFORE 2000).

** 17754 BUSHING 3" OD (VERIFY DIMENSIONS OF BUSHING FOR PLOWS BUILT ON OR BEFORE 2000).

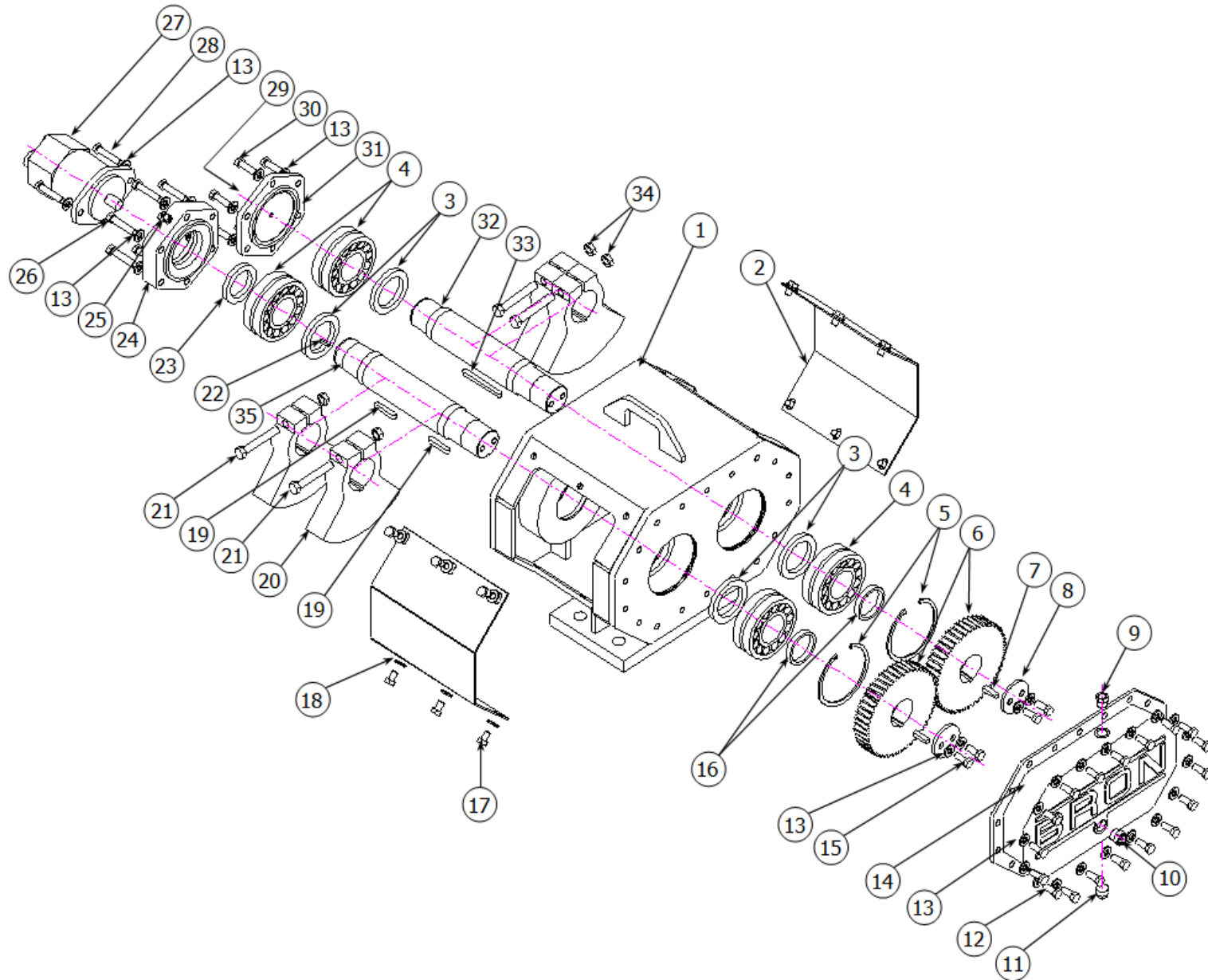


Left side view



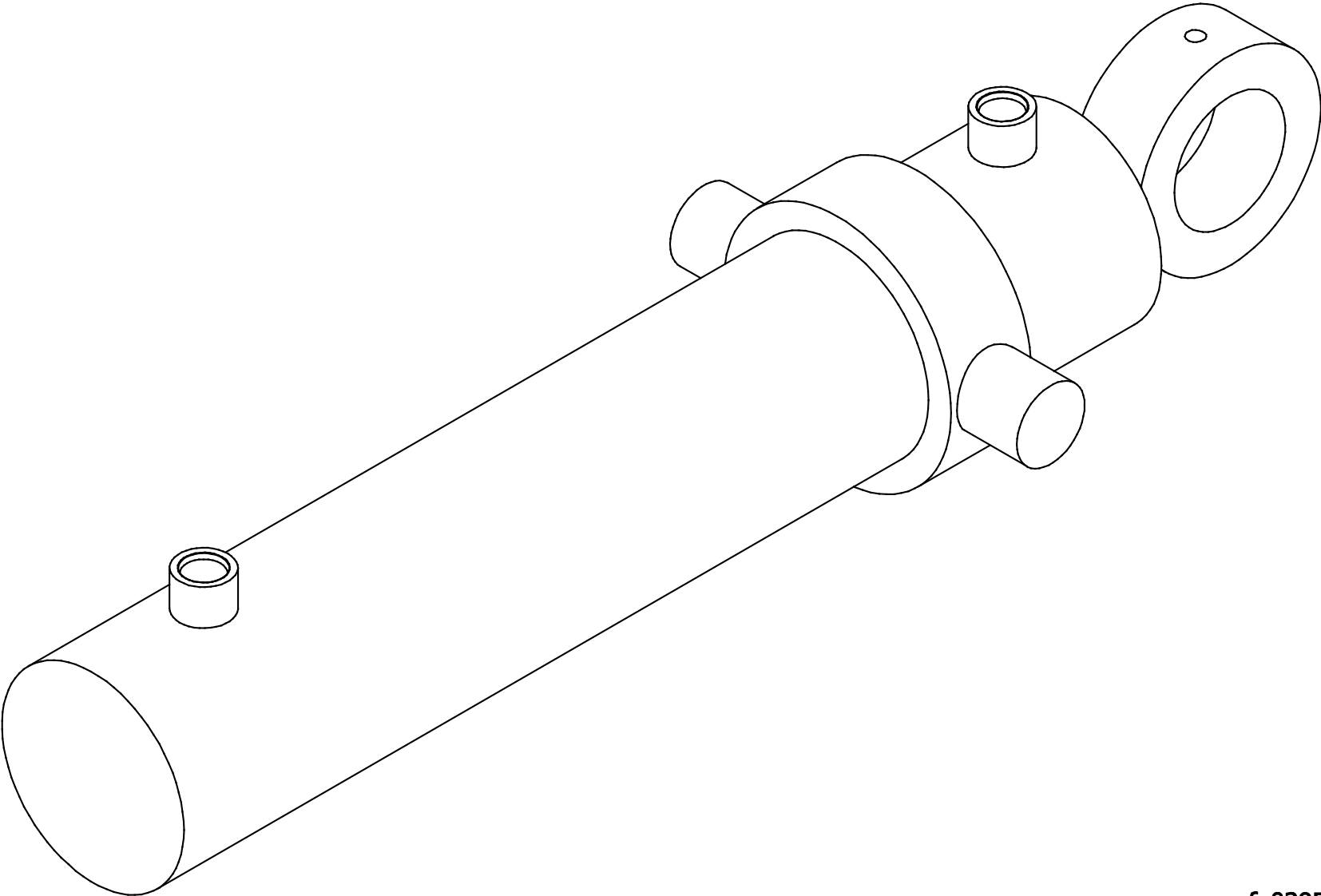
Right side view

Item	Quantity	Part Number	Description
1	1	31220	BLADE HOLDER WELDMENT
2	4	80680	STRAIGHT GREASE FITTING
3	2	80070	HEX HEAD BOLT
4	2	80580	WASHER
5	2	115800	SPACER
6	4	16840	RUBBER SPACER
7	2	10722	SWIVEL BUSHING
8	2	13808	SWING CYLINDER (SEE SECTION 8 FOR ASSEMBLY BREAKDOWN)
9	1	10710	PIN ASSEMBLY
10	1	17848	PIN ASSEMBLY
11	2	12981	SWIVEL BUSHING
12	2	12977	PIN ASSEMBLY
13	2	10494	PIN ASSEMBLY
14	2	80014	HEX HEAD BOLT
15	2	80577	WASHER
16	1	13175	GUARD
17	1	12910	BLADE LOCK CYLINDER (SEE SECTION 10 FOR ASSEMBLY BREAKDOWN)
18	1	REF	BLADE (VARIOUS MODELS)
19	2	80660	COTTER PIN
20	2	81544	CASTLE NUT
21	2	11898	WASHER
22	2	117647	BUSHING
23	4	16625	SPECIAL BOLT
24	4	16626	SPECIAL NUT
25	1	80123	HEX HEAD BOLT
26	1	117738	PIN ASSEMBLY
27	1	80517	LOCK NUT
28	2	115057	SPACER
29	2	80089	HEX HEAD BOLT
30	2	80581	WASHER



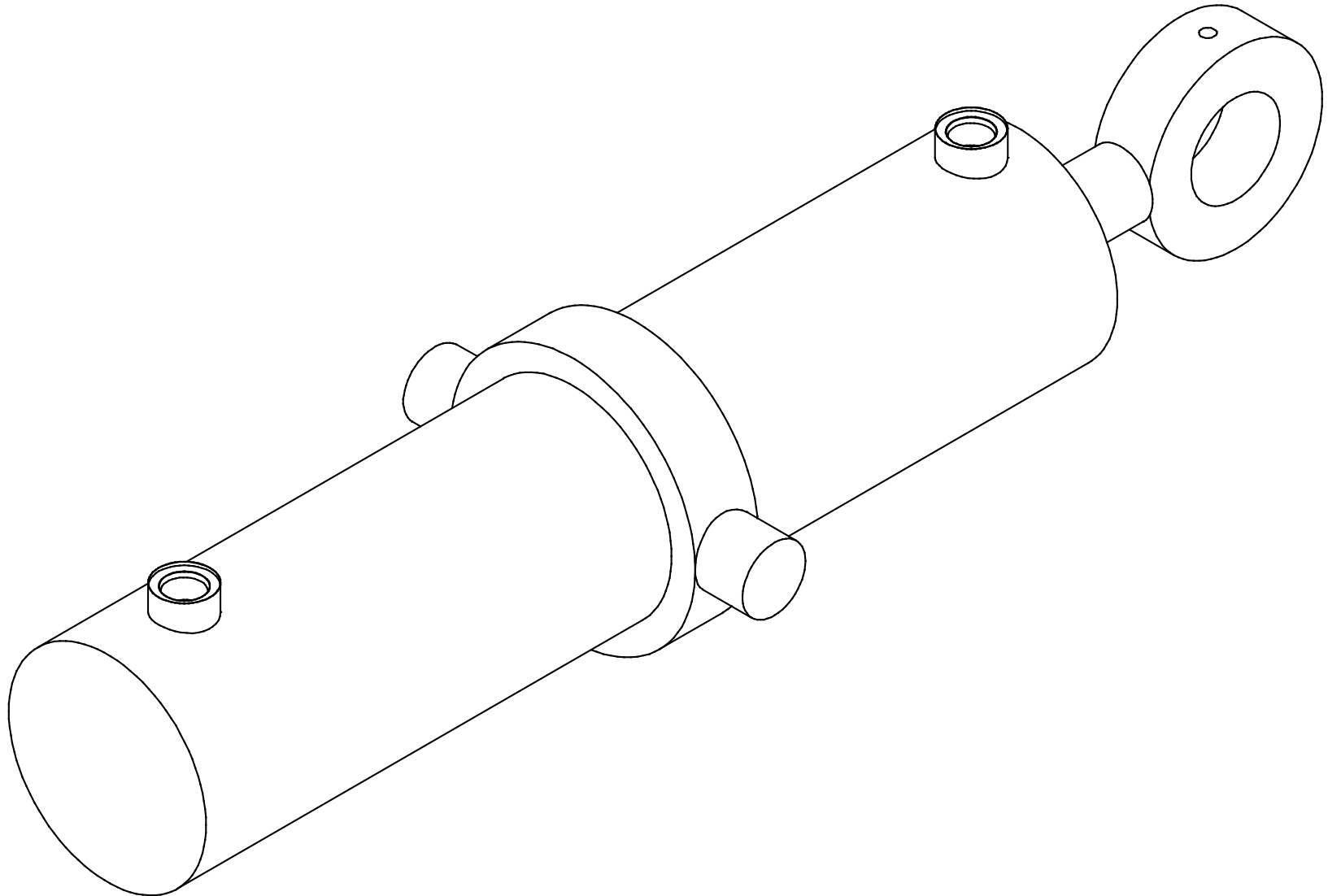
Item	Quantity	Part Number	Description
1	1	40462	SHAKER BOX WELDMENT
2	2	20609	END COVER
3	4	14777	SEAL
4	4	14776	ROLLER BEARING
5	2	14778	SNAP RING
6	2	20607	GEAR
7	2	14782	KEY
8	2	14779	END PLATE
9	1	17003	BREATHER
10	1	12044	FLUID LEVEL GAUGE
11	1	14786	MAGNETIC PLUG
12	18	80069	HEX HEAD BOLT
13	36	80567	LOCK WASHER
14	1	30387	GEAR COVER
15	4	80070	HEX HEAD BOLT
16	2	14783	SPACER
17	12	80068	HEX HEAD BOLT
18	12	80580	WASHER
19	2	14780	KEY
20	4	20608	WEIGHT
21	4	80100	HEX HEAD BOLT
22	1	120323	KEY
23	1	14798	SEAL
24	1	20616	DRIVE COVER
25	1	80682	90° GREASE FITTING
26	6	80075	HEX HEAD BOLT
27	1	11028	HYDRAULIC MOTOR
28	2	80071	HEX HEAD BOLT
29	1	80680	STRAIGHT GREASE FITTING
30	6	80072	HEX HEAD BOLT
31	1	20617	BLANK COVER
32	1	20606	DRIVEN SHAFT
33	1	14781	KEY

Item	Quantity	Part Number	Description
34	4	80516	LOCK NUT
35	1	20605	DRIVE SHAFT



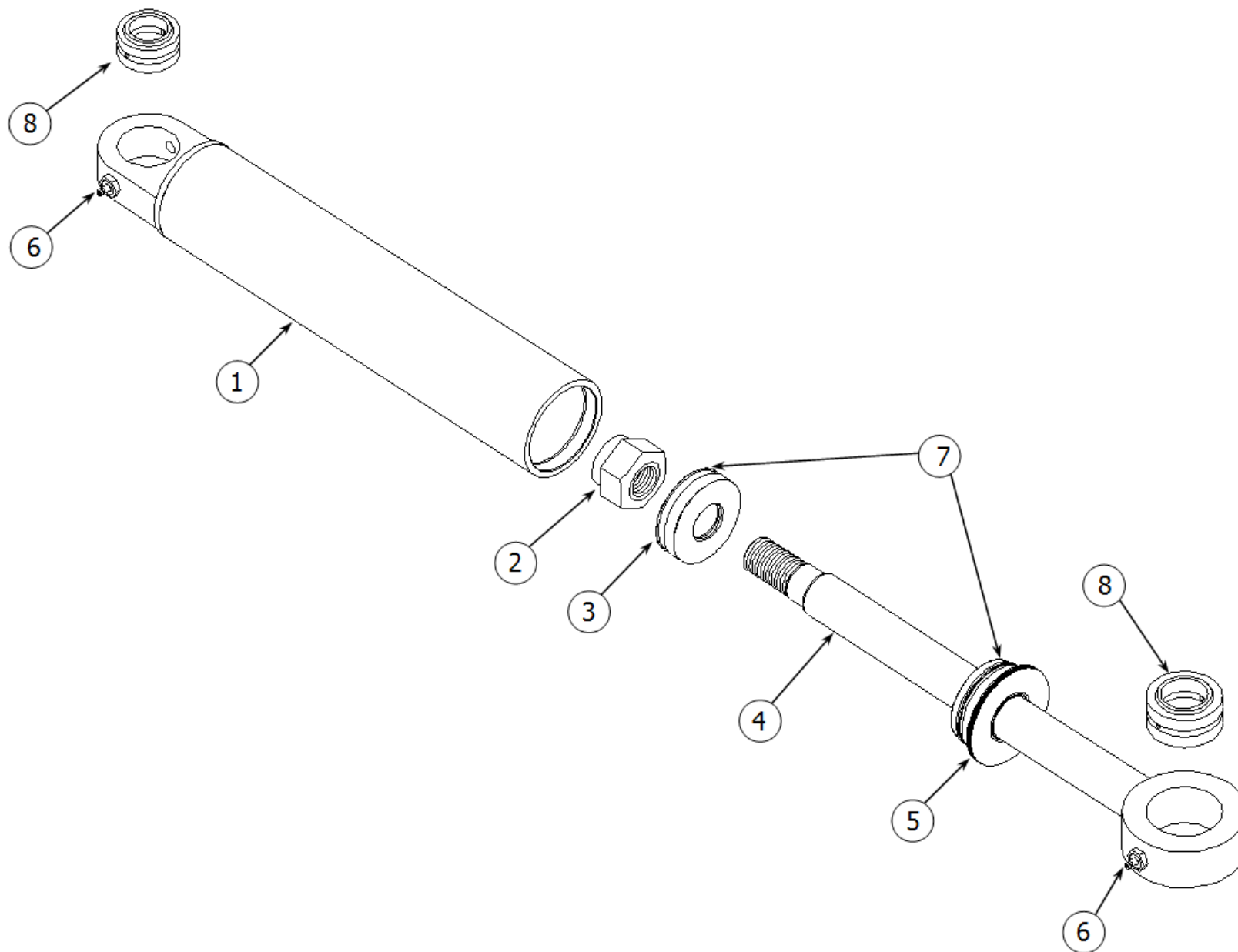
rwf_0395

Item	Quantity	Part Number	Description
1	1	14122	BARREL WELDMENT
2	1	10719	STOVER NUT
3	1	14124	PISTON
4	1	14123	ROD WELDMENT
5	1	14125	GLAND
6	1	80680	STRAIGHT GREASE FITTING
7	1	10722	SWIVEL BUSHING
8	1	14126	SEAL KIT

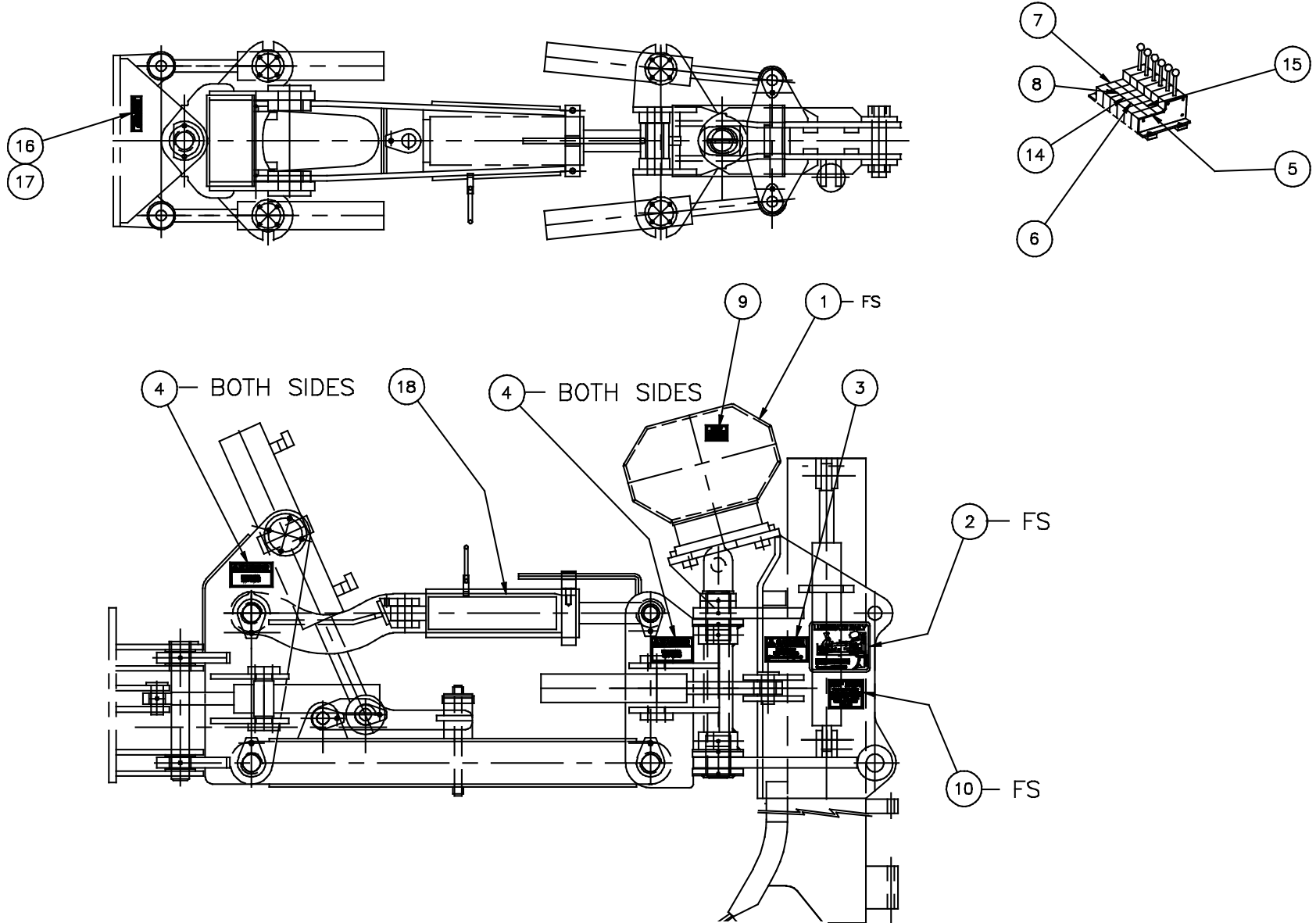


rwf_0652

Item	Quantity	Part Number	Description
1	1	14117	BARREL WELDMENT
2	1	10726	STOVER NUT
3	1	14119	PISTON
4	1	14118	ROD WELDMENT
5	1	14120	GLAND
6	1	80680	STRAIGHT GREASE FITTING
7	1	10729	SWIVEL BUSHING
8	1	14121	SEAL KIT



Item	Quantity	Part Number	Description
1	1	13446	BARREL WELDMENT
2	1	10719	STOVER NUT
3	1	13448	PISTON
4	1	13447	ROD WELDMENT
5	1	13449	GLAND
6	2	80680	STRAIGHT GREASE FITTING
7	1	13450	SEAL KIT
8	2	12981	SWIVEL BUSHING



rwf_0805

Item	Quantity	Part Number	Description
1	1	16943	CHECK OIL DAILY DECAL
2	1	17162	LUBRICATE DAILY DECAL
3	1	11982	WARNING NO WELDING DECAL
4	4	11983	WARNING SWING AREA DECAL
5	1	11984	SHAKER ON / OFF DECAL
6	1	11985	REAR SWING DECAL
7	1	11986	MAIN LIFT DECAL
8	1	11987	FRONT SWING DECAL
9	1	16944	GREASING DECAL
10	1	16923	PATENT # DECAL
13	1	18596	MAIN LIFT DECAL (NO FLOAT)
14	1	18597	BLADE PITCH DECAL
15	1	18598	BLADE HEIGHT DECAL
16	REF	REF	SERIAL # PLATE SHOWN FOR ILLUSTRATIVE PURPOSES ONLY *CANNOT BE ORDERED*
17	4	80770	RIVET
18	2	18439	V75-2 DECAL